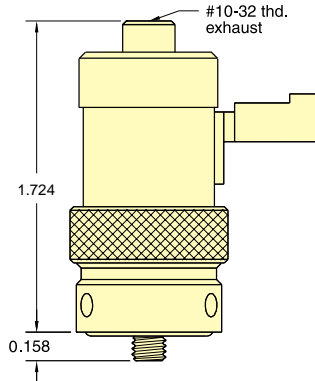


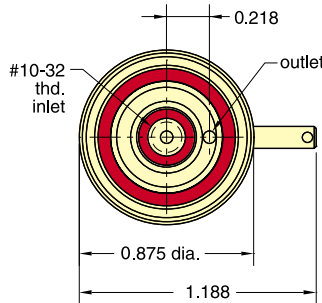
EV, ET, EC SERIES 3-WAY NORMALLY OPEN VALVES MANIFOLD MOUNT



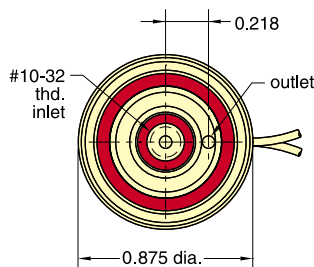
ECN - 3M - □ - □



ETN - 3M - □ - □



EVN - 3M - □ - □



Type: Normally Open 3-Way
Medium: Air (40 micron filtration)
Temperature Range: 30° to 180° F
Power Consumption: 0.67 watt
Response: <15 milliseconds
Mounting: Manifold
Ports: Manifold mounted with #10-32 stud
Operating Range: 90% to 150% of rated voltage
Air Flow: 0.9 scfm @ 100 psig
Pressure Range: 28" Hg Vac. to 105 psig

ECN, ETN & EVN series valves are 2- & 3-way N.O. solenoid valves. The normally open inlet is through the center mounting stud, so the valves can be supplied directly from the manifold without external tubing.



For Cable and Connectors, see Page 184.

NUMBERING SYSTEM

E □ N - 3 M - □ - □

C - Connector
 T - Terminal Spades
 V - Wire Leads

Voltages: *
 6 - 6 Volts
 12 - 12 Volts
 24 - 24 Volts

Standard Options:
 Blank - Buna-N seals
 V - Viton® seals

Non-Standard Options:
 E - EPR seals
 D - Diode

* Consult factory for availability of non-standard voltages and other options